

Figure 13 - Anchor Bracket Assemblies

FIG. 13	PART NO.	NAME AND DESCRIPTION	QTY. REQ.
Group 1-9—ANCHOR BRACKET ASSEMBLIES (Models 14-1, 14-2, 14-9, 14-10, 14-15, and 14-16)			
-	*141567	BRACKET ASSEMBLY R. H. Anchor Model 14-1,2 only.	1
1	141561	BRACKET ASSEMBLY, L. H. Anchor.	1
Consists of Bracket which is not serviced separately plus items listed below:			
2	230044	PIN, Anchor	1
-		LOCKWASHER, 5/8" } Anchor Pin to Bracket	1
-		NUT, 5/8" - 18 Hex. }	
3	142210	CHAIN ASSEMBLY	1
4	2N-574	PIN, Linch	1
5	2N-575	RING, Linch Pin	1
6	141186	BRACKET and BALL ASSEMBLY, R. H. Anchor	1
7	230044	PIN, Anchor	1
8		LOCKWASHER, 5/8" } Anchor Pin to Bracket	1
9		NUT, 5/8" - 18 Hex. }	
10	142210	CHAIN ASSEMBLY	1
11	2N-574	PIN, Linch	1
12	2N-575	RING, Linch Pin	1
13	141569	CLIP, Lift Chain	1
14		BOLT, 5/8" - 18 x 6-1/2" Carr. } Clip and R. H. Anchor	
15		LOCKWASHER, 5/8" } Bracket to Axle.	1
16		NUT, 5/8" - 18 Hex. }	
--		BOLT, 5/8" - 11 x 6-1/2" Hex. Hd. (Use on 2N, 9N and early 8N Tractors to fasten Mower R. H. Anchor Bracket to Axle	1
See Fig. 6	230042	LINK, Stabilizer	1

*Use on Model 14-1 Prior to Serial No. 27282
 *Use on Model 14-2 Prior to Serial No. 27535

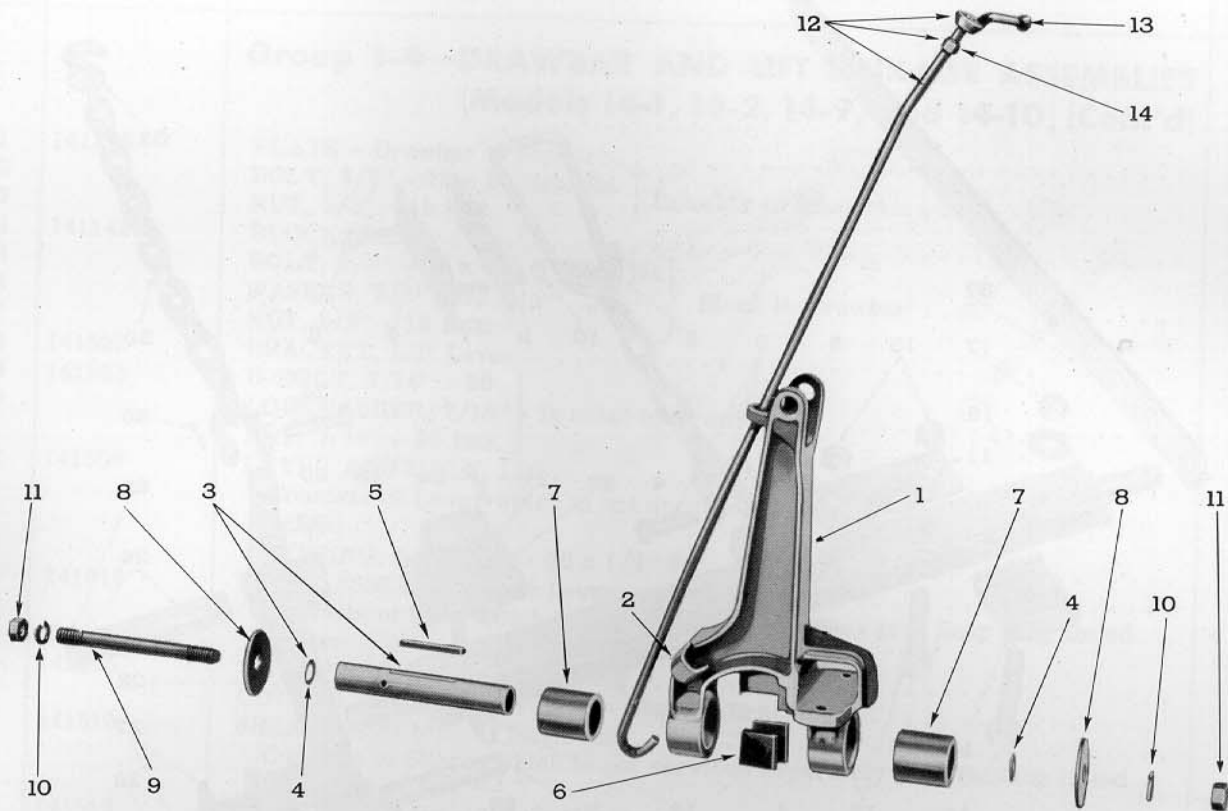


Figure 7 - Belt Housing Support

FIG. 7	PART NO.	NAME AND DESCRIPTION	QTY. REQ.	
		Group 1-3—BELT HOUSING SUPPORT (Models 14-1, 14-2, 14-9, and 14-10)	14-1, 2	14-9, 10
1	141375	SUPPORT ASSEMBLY, Belt Housing Consists of Support which is not serviced separately plus items listed below:	1	1
2	141377	*CLIP, Tie Rod	1	1
-		BOLT, 1/4" - 28 x 3/4" Hex. Hd.	1	1
-		LOCKWASHER, 1/4"	2	2
3	141385	NUT, 1/4" - 28 Hex. } Clip to Support	2	2
		TUBE ASSEMBLY, Belt Housing Support	1	1
		Consists of Tube which is not serviced separately plus Spacer listed below:		
4	141387	SPACER, 7/8" I.D. x 1-1/4" O.D. x .083 Plug	2	2
5	141393	KEY, Tube to Housing	1	1
6	141391	BUMPER, Belt Housing Support Rubber	2	2
7	141396	BUSHING, Belt Housing Support Rubber	2	2
8	141394	WASHER, Belt Housing Bushing Retainer	2	2
9	141194	STUD	1	1
10		LOCKWASHER, 3/4" } Support to Belt Housing	2	2
11		NUT, 3/4" - 16 Hex. }	2	2
--	141651	TIE ROD ASSEMBLY, Safety	1	-
12	141175	TIE ROD ASSEMBLY, Safety	-	1
		Consists of Rod which is not serviced separately plus items listed below:		
13	141653	HANDLE, Tie Rod	1	1
14		NUT, 1/2" - 13 Hex. - Handle Stop	1	1

*Supports are being furnished with the Clip welded on Steel Supports and bolted on Iron Supports.

FIG. 12	PART NO.	NAME AND DESCRIPTION	QTY. REQ.			
			14-1-9	14-2-10	14-15	14-16
Group 1-8—CUTTER BAR, KNIFE AND OUTER SHOE ASSEMBLIES						
-	142636	CUTTER BAR and OUTER SHOE ASSEMBLY, 6'	-	-	1	-
-	142637	CUTTER BAR and OUTER SHOE ASSEMBLY, 7'	-	-	-	1
-	141004	CUTTER BAR and OUTER SHOE ASSEMBLY, 7'	-	1	-	-
1	140474	Consists of: BAR, Cutter, 6'	1	-	1	-
-	140475	BAR, Cutter, 7'	-	1	-	1
2	142726	CLIP, Knife - Plain	5	6	5	6
3	141008	CLIP, Knife - Inner	1	1	1	1
4	141021	PLATE, Wear.	6	7	6	7
5	141015	SHIM, .050.	6	7	6	7
6	141009	GUARD ASSEMBLY, Rock (Model 14-15A-Qty. of 22 or 26) ..	--	--	--	--
-	140470	GUARD ASSEMBLY, Plain	22	26	22	26
7	141013	GUARD ASSEMBLY, Rock - Outer (Model 14-16A-Qty. of 1) ..	-	-	-	-
-	140472	GUARD ASSEMBLY, Plain - Outer	1	1	1	1
Consists of Guard which is not serviced separately plus items listed below:						
8	142570	PLATE, Ledger	23	27	23	27
-	141012	RIVET, Ledger Plate to Rock	23	27	23	27
9		BOLT, 7/16" - 20 x 1-1/2" Plow } Plain Clip to Cutter				
10		NUT, 7/16" - 20 Hex. } Bar and Rock Guard	10	12	10	12
11		BOLT, 7/16" - 20 x 1-1/4" Plow } Rock Guard to Cutter				
11		NUT, 7/16" - 20 Hex. } Bar	9	11	9	11
12		BOLT, 7/16" - 20 x 1-3/4" Plow } Inner Clip to Cutter				
13		NUT, 7/16" - 20 Hex. } Bar and Rock Guard	2	2	2	2
14		BOLT, 7/16" - 20 x 1-1/4" Plow, Rib Neck } Rock Guard to				
15		LOCKWASHER, 7/16" Shakeproof } Cutter Bar	2	2	2	2
16	141044	NUT, 7/16" - 20 Hex.	2	2	2	2
17	143570	SHOE ASSEMBLY, Outer	1	1	1	1
Consists of Shoe which is not serviced separately plus items listed below:						
18	142571	PLATE, Ledger	1	1	1	1
--	141019	RIVET, .210 x 11/16" Plate to Shoe (Use w/Old Style)	1	1	1	1
--	141020	RIVET, .210 x 1-3/16" Shoe Assy. - Not Shown	-	-	1	1
--	143566	RIVET, .212 x 13/16" } Shoe to Plate (Use w/143570)	1	1	1	1
--	143567	RIVET, .212 x 1" }	1	1	1	1
19	141022	SOLE, Outer Shoe (Welded Assembly)	1	1	-	-
20		BOLT, 7/16" - 20 x 1-1/2" Plow } Outer Shoe to Cutter Bar ..				
21		LOCKWASHER, 7/16" }	2	2	2	2
22		NUT, 7/16" - 20 Hex. }	2	2	2	2
--		BOLT, 7/16" - 14 x 2-1/4" Carr. } Sole to Outer Shoe Assy. .				
--		LOCKWASHER, 7/16" }	-	-	1	1
--		NUT, 7/16" - 14 Hex. }	-	-	1	1
23		BOLT, 3/8" - 16 x 1-1/4" Carr. } Sole to Outer Shoe Assy. ...				
24		LOCKWASHER, 3/8" }	1	1	-	-
25		NUT, 3/8" - 16 Hex. }	1	1	-	-
--	142644	SWATHBOARD and FITTING ASSEMBLY	1	1	-	-
Consists of:						
26	142645	SWATHBOARD (Riveted Assembly)	1	1	-	-
27	*140443	SPRING, Swathboard	1	1	-	-
28	141246	BOLT, 1/2" - 13 x 2-3/4" Carr.	1	1	1	1
29	141327	WASHER, 21/32" I.D. x 1-5/8" O.D. Flat } Swathboard and	1	1	2	2
30		NUT, 1/2" - 13 Hex. Slotted } Spring to Outer	1	1	1	1
31		COTTER PIN, 1/8" x 1" } Shoe	1	1	1	1
32	142652	CLAMP, Grass Stick	1	1	1	1

*When replacing spring on units prior to Serial Numbers 14-1-3552, and 14-2-4016, order 140443 Spring plus 1-1/2"-13 x 2-1/2" Sq. Hd. Bolt, 1-141327 Washer and 1-1/2"-13 - Hex. Slotted Nut, and 1-1/8" x 1 Cotter Pin.

FIG. 12	PART NO.	NAME AND DESCRIPTION	QTY. REQ.			
			14-1, 2	14-9, 10	14-15	14-16
Group 1-8—CUTTER BAR, KNIFE AND OUTER SHOE ASSEMBLIES (Cont'd)						
33		BOLT, 5/16" - 18 x 1-1/4" Carr.	1	1	1	1
34		BOLT, 5/16" - 18 x 2-1/2" Carr.	1	1	1	1
35		WASHER, 5/16" Flat	2	2	2	2
36		LOCKWASHER, 5/16"	2	2	2	2
37		NUT, 5/16" - 18 Hex.	2	2	2	2
		} Grass Stick and Clamp to Swathboard				
38	142651	STICK, Grass (Not part of 142644)	1	1	1	1
39	141107	KNIFE ASSEMBLY, 6' Underserrated	1	-	-	-
39A	142668	KNIFE ASSEMBLY, 6' Underserrated	-	-	1	-
--	141108	KNIFE ASSEMBLY, 7' Underserrated	-	1	-	-
--	142669	KNIFE ASSEMBLY, 7' Underserrated	-	-	-	1
--	141137	KNIFE ASSEMBLY, 6' Plain	1	-	-	-
--	142713	KNIFE ASSEMBLY, 6' Plain	-	-	1	-
--	141138	KNIFE ASSEMBLY, 7' Plain	-	1	-	-
--	142714	KNIFE ASSEMBLY, 7' Plain	-	-	-	1
		Consists of:				
40	142670	HEAD, Knife	-	-	1	1
40A	141109	HEAD, Knife	1	1	-	-
--	141121	RIVET, Knife Head to Back .210" x .81"	-	-	3	3
--	141114	RIVET, Knife Head to Back .210" x .68"	2	2	-	-
41	141110	REINFORCEMENT, Knife Head	1	1	-	-
--	141111	BACK, Knife, 6'	1	-	1	-
--	141112	BACK, Knife, 7'	-	1	-	1
--	141113	SECTION, Underserrated Knife (Optional)	24	28	24	28
42	141682	SECTION, Plain Knife	24	28	24	28
--	141197	SECTION, Knife, Heavy Plain (.109) (Optional)	24	28	24	28
--	141198	SECTION, Knife, Heavy Serrated (.109) (Optional)	24	28	24	28
43	141115	RIVET, Knife Section to Back (.210 x 1.06)	5	5	-	-
44	141121	RIVET, Knife Section to Head and Reinforcement (.210 x .81)	6	6	3	3
44A	142673	RIVET, Knife Section to Head (.210 x 15/16")	-	-	7	7
45	141116	RIVET, Knife Section to Back (.210 x .56)	37	45	41	49
46	141117	SOCKET ASSEMBLY, Front Ball	1	1	-	-
		Consists of Socket which is not serviced separately plus Fitting listed below:				
47		FITTING, Lube, 1/4" - 28 x 3/4", 45°	1	1	-	-
48	141119	SOCKET ASSEMBLY, Rear Ball	1	1	-	-
		Consists of Socket which is not serviced separately plus Fitting listed below:				
49		FITTING, Lube, 1/4" - 28 x 3/4", 45°	1	1	-	-
50	141681	SHIM, 1" x 2-1/4" Flat	As Req	As Req	-	-
51		BOLT, 1/2" - 20 x 1-5/8" Hex.	1	1	-	-
52		BOLT, 1/2" - 20 x 2-1/4" Hex.	1	1	-	-
53		LOCKWASHER, 1/2"	2	2	-	-
54		NUT, 1/2" - 20 Hex.	2	2	-	-
		} Ball Socket to Knife Head				
--	145642	RIVET ASSORTMENT - Repair				
		Consists of:				
--	141114	RIVET, .210" x .68"	2	2	2	2
--	141115	RIVET, .210" x 1.06"	6	6	6	6
--	141116	RIVET, .210" x .56"	49	49	49	49
--	141121	RIVET, .210" x .81"	6	6	6	6
--	142673	RIVET, .210" x 15/16"	7	7	7	7

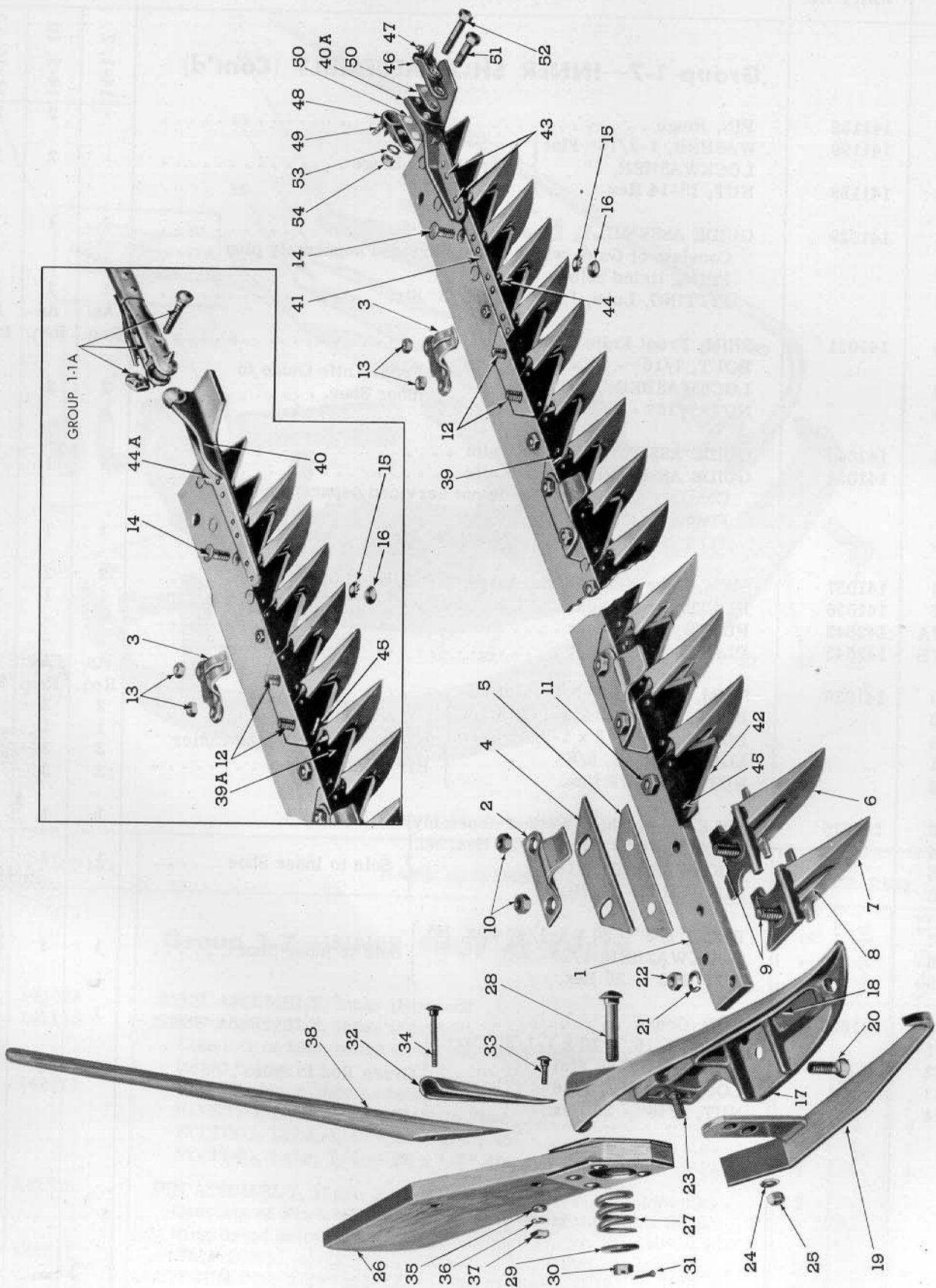


Figure 12 - Cutter Bar, Knife and Outer Shoe Assemblies

FIG. 9	PART NO.	NAME AND DESCRIPTION	QTY. REQ.		
			14-1,2	14-9,10	14-15,16
Group 1-5—DRAGBAR AND HINGE ASSEMBLIES (Models 14-1, 14-2, 14-9, 14-10, 14-15, and 14-16)					
1	141149	HINGE ASSEMBLY Consists of Hinge which is not serviced separately plus Fitting listed below:	1	1	1
2		FITTING, Lube, 1/4" - 28 x 1/2" Str.	3	3	3
3	141666	LEVER, Tilt	1	1	1
-	141658	YOKE ASSEMBLY, Tilt Lever Consists of:	1	1	1
4	141659	YOKE	1	1	1
5	141660	SPACER, 5/8" I.D. x 7/8" O.D. x .640 Tube	1	1	1
6		BOLT, 5/8" - 11 x 1-5/8" Hex. Hd. } Tilt Lever Yoke	1	1	1
7		LOCKWASHER, 5/8" }			
8		WASHER, 5/8" Flat }			
-	141662	PIN and CHAIN ASSEMBLY, Tilt Link Anchor Consists of:	1	1	-
-	141663	PIN, Anchor	1	1	-
-	142210	CHAIN ASSEMBLY	1	1	-
		COTTER PIN, 1/8" x 1"	1	1	-
-	141661	PIN, Hair - Anchor Pin to Tilt Link	1	1	-
9		BOLT, 1/2" - 20 x 1-1/2 Hex. Hd. } Yoke to Tilt Link	-	-	1
10		LOCKWASHER, 1/2" }			
11		NUT, 1/2" - 20 Hex. }			
12		BOLT, 5/8" - 18 x 2-1/2" Hex. Hd. } Tilt Lever to Hinge	1	1	1
13		LOCKWASHER, 5/8" }			
14		NUT, 5/8" - 18 Hex. }			
15		BOLT, 5/8" - 18 x 3-1/2" Hex. Hd. } Tilt Lever to Hinge	1	1	-
16		LOCKWASHER, 5/8" }			
17		NUT, 5/8" - 18 Hex. }			
17A	142654	DRAGBAR (Welded Assembly)	-	-	1
18	142667	WASHER, Dragbar Adjusting	-	-	1
--	141176	DRAGBAR and EYE ASSEMBLY Consists of:	1	1	
18A	141153	DRAGBAR (Welded Assembly)	1	1	-
19	141422	EYE, Dragbar	1	1	-
--	*141050	EYE, Dragbar	1	-	-
--	*141051	SPACER, Dragbar Yoke	1	-	-
20		BOLT, 5/8" - 18 x 1-5/8" Hex. Hd. } Eye to Dragbar	2	2	-
21		LOCKWASHER, 5/8" External }			
22	141423	SPACER, 5/8" I.D. x 1 O.D. x 3/4 Tube }			
23	141426	WASHER, .115 I.D. x 2.25 O.D. x 1/4" Flat } Dragbar Retaining .	1	1	1
24		NUT, 1-1/8" - 12 Castle }			
25		COTTER PIN, 3/16" x 1-1/2" }			
26	141395	BUSHING, Dragbar Eye	2	2	-
--	*141388	ANCHOR PIN, Dragbar (Welded Assembly)	1	-	-
27	†141683	ANCHOR PIN, Dragbar (Welded Assembly)	1	1	-

*Used on Model 14-1 prior to Serial No. 1095 and Model 14-2 prior to Serial No. 1062.

†Effective with Serial No. 1095 for 14-1 and Serial No. 1062 for 14-2.

FIG. 9	PART NO.	NAME AND DESCRIPTION	QTY. REQ.		
			14-1,2	14-9,10	14-15,16
Group 1-5—DRAGBAR AND HINGE ASSEMBLIES (Models 14-1, 14-2, 14-9, 14-10, 14-15, and 14-16) (Cont'd)					
28	†141689	WASHER, 1" I.D. - 3" O.D. Flat	}	Dragbar Anchor Pin	
--	*	WASHER, 3/4" Flat			
29	†	WASHER, 7/8" Flat			
--	*141390	WASHER, 7/8" I.D. - 3" O.D. Flat			
30		NUT, 7/8" - 14 Hex. Slotted			
30A		COTTER PIN, 1/8" - 1-1/4"			
See Fig.5	142620	CUP, Dragbar, Ball, Neoprene	-	-	1
31	142699	CUP, Dragbar, Outer	-	-	1
32		BOLT, 3/8" - 24 x 2 Hex. Hd. }	}	Cup to Dragbar	
33		LOCKWASHER, 3/8"			
34		NUT, 3/8" - 24 Hex.			
--	142662	LEVER ASSEMBLY, Hinge Lift	-	-	1
--	141405	LEVER ASSEMBLY, Hinge Lift	1	-	-
35	141170	LEVER ASSEMBLY, Hinge Lift Consists of Lever which is not serviced separately plus items listed below:	-	1	-
36		FITTING, Lube, 1/4" - 28 x 1/2" Str.	1	1	1
--	142664	LINER	-	-	1
--	142665	BUSHING, 11/16" x 1" x 5/8" Tube	-	-	1
--	141413	SHAFT ASSEMBLY, Hinge Lift Lever	1	-	-
37	141178	SHAFT ASSEMBLY, Hinge Lift Lever Consists of Shaft which is not serviced separately plus Snap Ring listed below:	-	1	1
--	141415	SNAP RING	1	-	-
38	141196	SNAP RING	-	1	1
--		COTTER PIN, 3/16" x 1-1/2" }	}	Shaft Retaining	
--		WASHER, 1-3/16" Flat			
39		LOCKWASHER, 1"			
40	141159	NUT, 1" - 14 Hex.			
41	141381	CLEVIS ASSEMBLY, Chain Consists of Clevis which is not serviced separately plus items listed below:	1	1	-
42		PIN, 1/2" x 1-15/16" Clevis	1	1	-
43		COTTER PIN, 1/8" x 1" - Pin to Clevis	1	1	-
44	141411	LINK, Chain	1	1	-
45	141412	HOOK, Balance Spring	1	1	-
46	141408	LINK, Lift	1	1	1
47	141409	YOKE	}	Lift Link	2
48		NUT, 1/2" - 20 Hex.			
49	141427	PIN, Clevis	}	Lever to Linkage and Link to Lever	2
50		COTTER PIN, 1/8" x 1"			
--	142666	BOLT, 1/2" - 20 x 1-5/8" Hex. Hd. }	}	Lift Link Yoke to Hinge Lift Lever and Inner Shoe Lift Lever	2
--		SPACER, .508 I.D. x .743 O.D. x .570 Tube			
--		LOCKWASHER, 1/2"			
--		NUT, 1/2" - 20 Hex. Jam			

*Used on Model 14-1 prior to Serial No. 1095 and Model 14-2 prior to Serial No. 1062.

† Effective with Serial No. 1095 for 14-1 and Serial No. 1062 for 14-2.

MODELS 14-1, 14-2, 14-9, 14-10, 14-15 and 14-16

FIG. 9	PART NO.	NAME AND DESCRIPTION	QTY. REQ.		
			14-1,2	14-9,10	14-15,16
<p>Group 1-5—DRAGBAR AND HINGE ASSEMBLIES (Models 14-1, 14-2, 14-9, 14-10, 14-15, and 14-16) (Cont'd)</p>					
51	141032	LEVER, Lift	1	1	1
--	142639	LEVER, Lift	1	1	1
52	141033	BOLT, 5/8" - 18 x 2 Hex. Hd.	1	1	1
53		SPACER, 5/8" I.D. x 7/8" O.D. x .54 Tube			
54		WASHER, 5/8" Flat			
55		LOCKWASHER, 5/8"			
56		NUT, 5/8" - 18 Hex.			
<p style="text-align: right;">} Lift Lever to Inner Shoe</p>			1	1	1

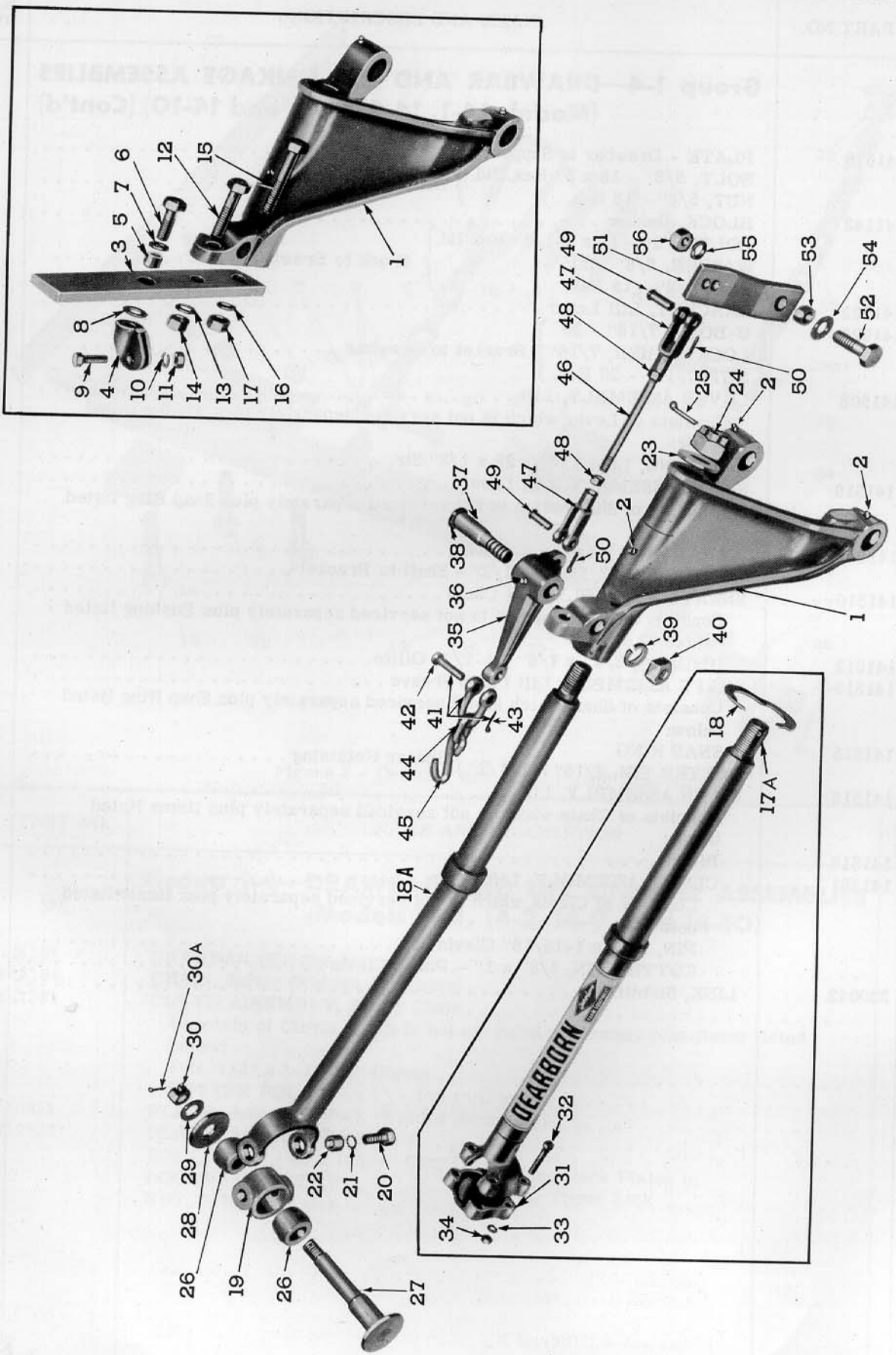


Figure 9 - Dragbar and Hinge Assemblies

FIG. 8	PART NO.	NAME AND DESCRIPTION	QTY. REQ.
Group 1-4—DRAWBAR AND LIFT LINKAGE ASSEMBLIES (Models 14-1, 14-2, 14-9, and 14-10) (Cont'd)			
11	141378	PLATE - Drawbar to Support	1
12		BOLT, 5/8" - 18 x 3" Hex. Hd. } Drawbar to Support	2
13		NUT, 5/8" - 18 Hex. }	
14	141142	BLOCK, Rubber	1
15		BOLT, 5/8" - 18 x 3-1/2" Hex Hd. } Block to Drawbar	1
16		WASHER, 5/8" Flat }	
17		NUT, 5/8" - 18 Hex. }	
18	141522	BRACKET, Lift Lever	1
19	141523	U-BOLT, 7/16" - 20 } Bracket to Drawbar	2
20		LOCKWASHER, 7/16" }	
21		NUT, 7/16" - 20 Hex. }	
22	141508	LEVER ASSEMBLY, Lift	1
		Consists of Lever which is not serviced separately plus Fitting listed below:	
23		FITTING, Lube 1/4" - 28 x 1/2" Str.	1
24	141519	SHAFT ASSEMBLY, Lift Lever	1
		Consists of Shaft which is not serviced separately plus Snap Ring listed below:	
25	141415	SNAP RING - Lever Retaining	1
26		COTTER PIN, 3/16" x 1-1/2" - Shaft to Bracket	1
27	141510	SHEAVE ASSEMBLY, Lift Chain	1
		Consists of Sheave which is not serviced separately plus Bushing listed below:	
28	141512	BUSHING, 3/4" x 7/8" x 1-1/2" Oilite	1
29	141513	SHAFT ASSEMBLY, Lift Chain Sheave	1
		Consists of Shaft which is not serviced separately plus Snap Ring listed below:	
30	141515	SNAP RING } Sheave Retaining	1
31		COTTER PIN, 3/16" x 1-1/2" }	
32	141516	CHAIN ASSEMBLY, Lift	1
		Consists of Chain which is not serviced separately plus items listed below:	
33	141518	HOOK	1
34	141381	CLEVIS ASSEMBLY, Lift Chain	1
		Consists of Clevis which is not serviced separately plus items listed below:	
35		PIN, 1/2" x 1-15/16" Clevis	1
36		COTTER PIN, 1/8" x 1" - Pin to Clevis	1
37	230042	LINK, Stabilizer	1

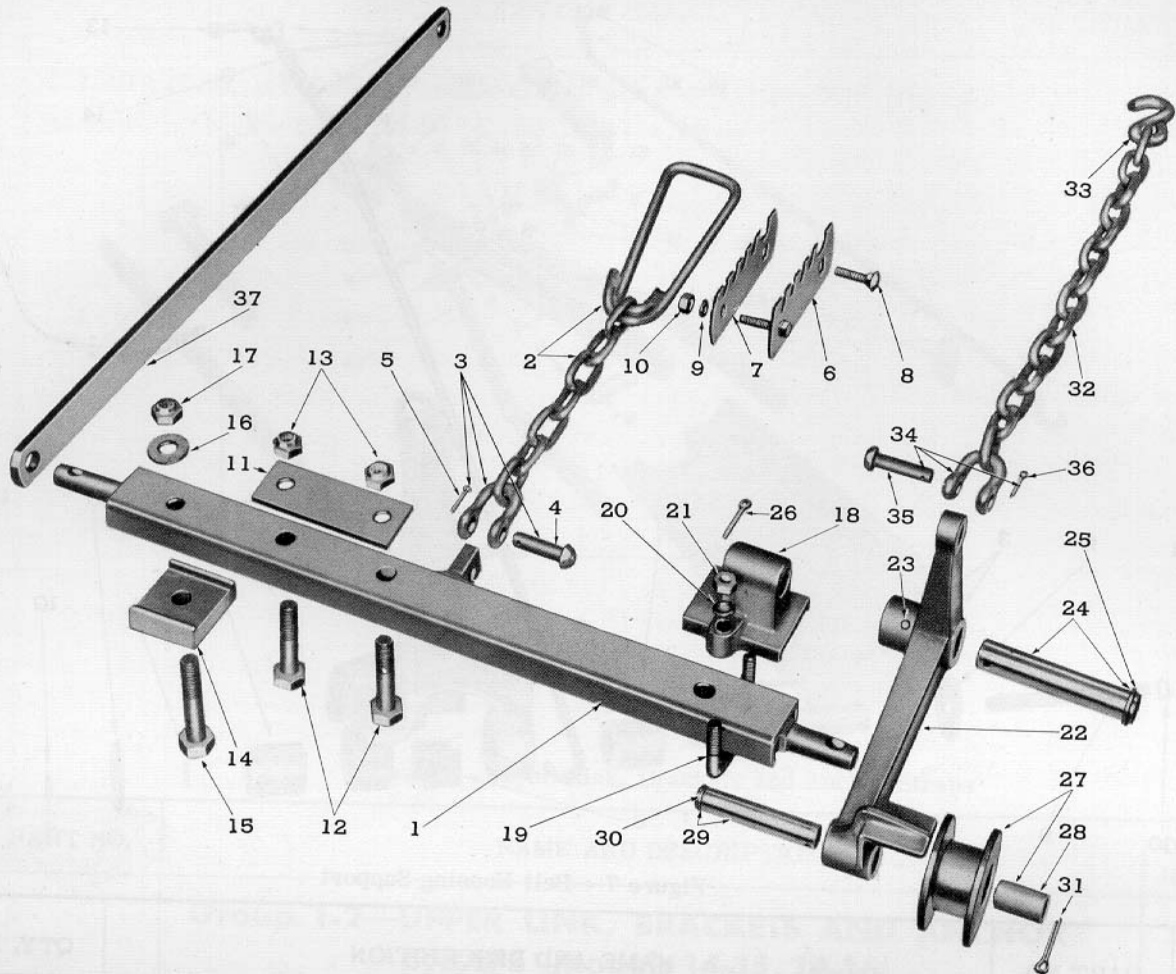


Figure 8 - Drawbar and Lift Linkage Assemblies

FIG. 8	PART NO.	NAME AND DESCRIPTION	QTY. REQ.
Group 1-4—DRAWBAR AND LIFT LINKAGE ASSEMBLIES (Models 14-1, 14-2, 14-9, and 14-10)			
1	141501	DRAWBAR (Welded Assembly)	1
2	141164	CHAIN, Safety (Welded Assembly)	1
3	141381	CLEVIS ASSEMBLY, Safety Chain	1
		Consists of Clevis which is not serviced separately plus items listed below:	
4		PIN, 1/2" x 1-15/16" Clevis	1
5		COTTER PIN, 1/8" x 1" - Pin to Clevis	1
6	110521	PLATE, Adjusting Rack (Welded Assembly)	1
7	110522	PLATE, Adjusting Rack	1
8		BOLT, 7/16" - 20 x 1-3/4" Carr. } Adjusting Rack Plates to	1
9		LOCKWASHER, 7/16" } Tractor Upper Link	2
10		NUT, 7/16" - 20 Hex. }	2

MODELS 14-1, 14-2, 14-9, 14-10, 14-15 and 14-16

FIG. 11	PART NO.	NAME AND DESCRIPTION	QTY. REQ.		
			14-1, 2	14-9, 10	14-15, 16
Group 1-7—INNER SHOE ASSEMBLY (Cont'd)					
4	141158	PIN, Hinge	-	2	2
5	141199	WASHER, 1-3/16" Flat } Hinge Pin to Hinge	-	2	2
6		LOCKWASHER, 1" }			
7	141159	NUT, 1"-14 Hex . }			
8	141029	GUIDE ASSEMBLY, Front Knife Consists of Guide which is not serviced separately plus Fitting listed below:	1	1	1
9		FITTING, Lube, 1/4" - 28 x 1/2" Str.	1	1	1
10	141031	SHIM, Front Knife Guide	As Req.	As Req.	As Req.
11		BOLT, 7/16" - 20 x 1-1/2" Carr. } Front Knife Guide to			
12		LOCKWASHER, 7/16" } Inner Shoe.			
13		NUT, 7/16" - 20 Hex. }	2	2	2
14	142640	GUIDE ASSEMBLY, Rear Knife	-	-	1
--	141034	GUIDE ASSEMBLY, Rear Knife Consists of Guide which is not serviced separately plus Fitting listed below:	1	1	-
15		FITTING, Lube, 1/4" - 28 x 1/2" Str.	1	1	1
16	141037	SHIM, Rear Knife Guide, 1-1/4" x 9-3/8" Flat	2	2	-
17	141036	PLATE, Inner Wear	1	1	-
17A	142642	PLATE, Inner Wear	-	-	1
17B	142643	PLATE, Inner Wear	-	-	1
18	141038	SHIM, 1-1/4" x 9-3/8" Flat	As Req.	As Req.	As Req.
19		BOLT, 5/8" - 18 x 2-1/2" Carr. } Rear Knife Guide and Cutter	2	2	2
20		BOLT, 5/8" - 18 x 1-3/4" Carr. }	1	1	1
21		LOCKWASHER, 5/8" }	3	3	3
22		NUT, 5/8" - 18 Hex. }	3	3	3
23	141675	SOLE, Inner Shoe (Welded Assembly)	1	1	1
24		BOLT, 7/16" - 20 x 1-1/2" Hex. Hd. } Sole to Inner Shoe			
25		LOCKWASHER, 7/16" }	1	1	1
26		NUT, 7/16" - 20 Hex. }			
27		BOLT, 1/2" - 20 x 1-1/4" Hex. Hd. } Sole to Inner Shoe			
28		LOCKWASHER, 1/2" }	1	1	1
29		NUT, 1/2" - 20 Hex. }			
30	141655	ROD, Grass	1	1	1
31		BOLT, 7/16" - 20 x 1-1/2" Carr. } Grass Rod to Sole.			
32		WASHER, 7/16" Flat }	1	1	1
33		LOCKWASHER, 7/16" }			
34		NUT, 7/16" - 20 Hex. }			

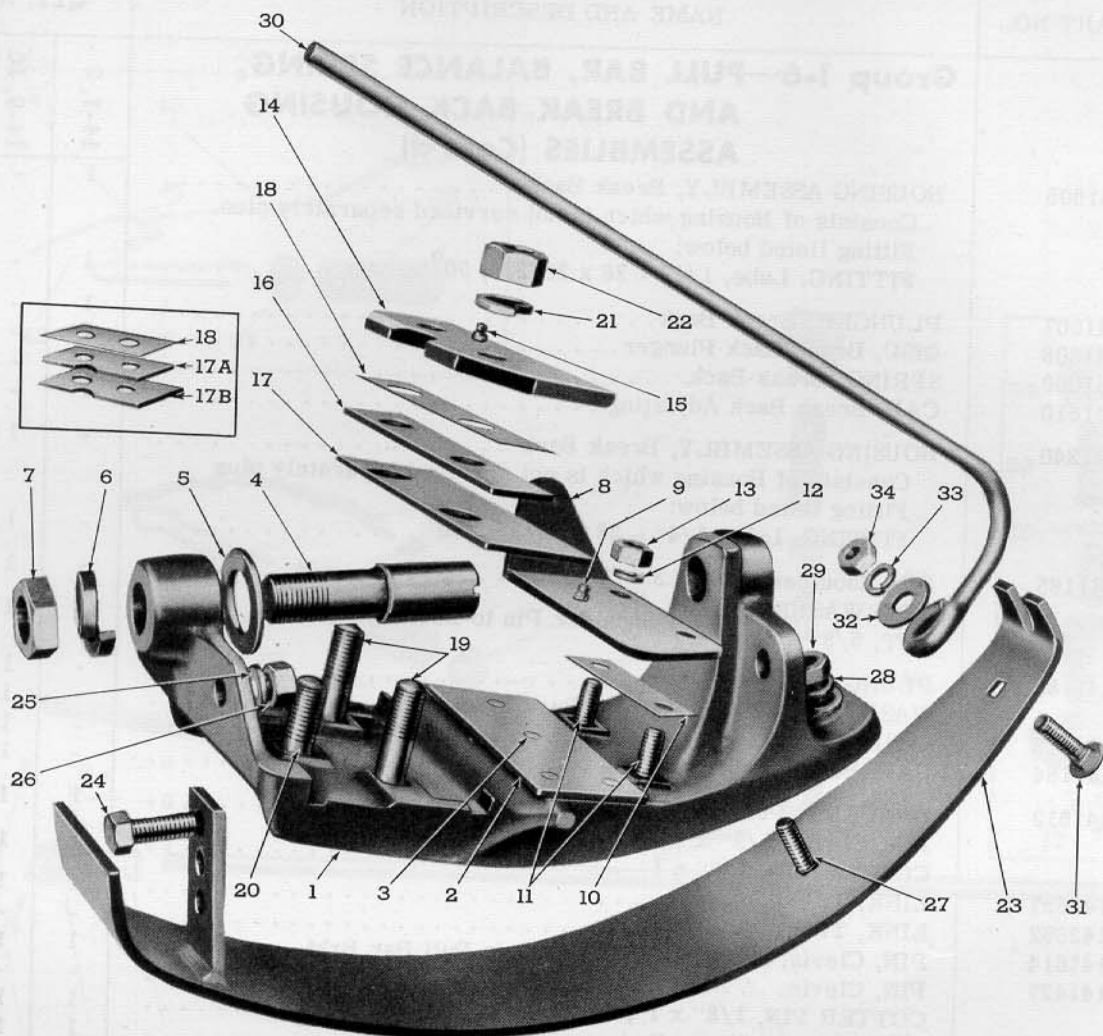


Figure 11 - Inner Shoe Assembly

FIG. 11	PART NO.	NAME AND DESCRIPTION	QTY. REQ.		
			14-1, 2	14-9, 10	14-15, 16
<p>Group 1-7—INNER SHOE ASSEMBLY</p>					
-	141026	SHOE ASSEMBLY, Inner (Riveted)	1	-	-
1	141156	SHOE ASSEMBLY, Inner (Riveted)	-	1	1
<p>Consists of Shoe which is not serviced separately plus items listed below:</p>					
2	142572	PLATE, Inner Shoe Ledger	1	1	1
3		RIVET, 3/16" x 5/8" - Plate to Shoe	4	4	4
-		FITTING, Lube, 1/4" - 28 x 3/4", 45°	1	1	1
-		FITTING, Lube, 1/4" - 28 x 1/2" Str.	1	1	1
-	141039	PIN ASSEMBLY, Hinge	2	-	-
<p>Consists of Pin which is not serviced separately plus Snap Ring listed below:</p>					
-	141041	SNAP RING	2	-	-
-		COTTER PIN, 3/16" x 1-1/2" - Pin to Hinge	2	-	-

Group 1—DEARBORN REAR ATTACHED MOWERS

Models 14-1, 14-2, 14-9, and 14-10

FIG. 4	PART NO.	NAME AND DESCRIPTION	QTY. REQ.
Group 1-1—MAIN DRIVE (Models 14-1, 14-2, 14-9, 14-10)			
NOTE: Rear attached Mowers are built using both Blood Bros. and Spicer Universal Joint Assemblies. In servicing these Universal Joint Assemblies it is necessary to order Blood Bros. parts if the Mower has a Blood Bros. Universal Joint Assembly or Spicer parts if the Mower has a Spicer Universal Joint Assembly. Blood Bros. parts are not interchangeable with Spicer parts and vice-versa.			
1	141210	UNIVERSAL JOINT ASSEMBLY, Tractor End	1
		Consists of:	
-	141212	YOKE, Clamp (Spicer)	1
-	141213	YOKE, Sleeve (Spicer)	1
2	141204	BEARING and JOURNAL ASSEMBLY (Service Kit) (Spicer) Consists of a Center Cross or Journal which is not serviced separately plus items listed below:	
3	140055	GASKE T	4
4	140331	RETAINER	4
5	140059	BEARING, U. Joint	4
6	140277	SNAP RING	4
7	141135	YOKE, Clamp (Blood Bros.)	1
8	141136	YOKE, Sleeve (Blood Bros.)	1
9	141132	BEARING and JOURNAL ASSEMBLY (Service Kit) (Blood Bros.) Consists of a Center Cross or Journal which is not serviced separately plus items listed below:	1
10		FITTING, Lube, 1/4" - 28 x 25/32", 90°	1
11	143538	WASHER, Cork	4
12	142787	RETAINER	4
13	142788	BEARING, U. Joint	4
14	142789	SNAP RING	4
15		BOLT, 1/2" - 20 x 1-3/4" Hex. Hd. - Front Universal Joint to P.T.O. . . .	1
16		FITTING, Lube, 1/4" - 28 x 1/2" Str. - U Joint	1
17	141206	SHAFT, Drive	1
18	141232	WASHER, Front Universal Joint Felt	1
19	141231	WASHER, Front Universal Joint Felt Retaining Split	2
20	141233	CAP, Front Universal Joint Felt Retaining Washer (Service Kit) (Blood Bros.)	1
21		UNIVERSAL JOINT ASSEMBLY, Mower End (Blood Bros.) Consists of:	1
22	141131	YOKE and SHAFT (Welded Assembly)	1
23	141133	YOKE, Plain	1
9	141132	BEARING and JOURNAL ASSEMBLY (Blood Bros.) Consists of a Center Cross or Journal which is not serviced separately plus items listed below:	1
10		FITTING, Lube, 1/4" - 28 x 25/32", 90°	1
11	143538	WASHER, Cork	4
12	142787	RETAINER	4
13	142788	BEARING, U. Joint	4
14	142789	SNAP RING	4
--	141202	UNIVERSAL JOINT ASSEMBLY, Mower End (Spicer) Consists of:	
--	141203	YOKE and SHAFT (Welded Assembly)	1
--	141205	YOKE, Universal Joint End	1

MODELS 14-1, 14-2, 14-9 and 14-10

FIG. 4	PART NO.	NAME AND DESCRIPTION	QTY. REQ.
		Group 1-1—MAIN DRIVE (Models 14-1, 14-2, 14-9, 14-10) (Cont'd)	
2	141204	BEARING and JOURNAL ASSEMBLY (Service Kit) (Spicer) Consists of a Center Cross or Journal which is not serviced separately plus items listed below:	1
3	140055	GASKET	4
4	140331	RETAINER	4
5	140059	BEARING, U. Joint	4
6	140277	SNAP RING	4
24		SET SCREW, 3/8" - 16	
25		KEY, 1/4" Woodruff } Rear Universal Joint to Drive Shaft	1
26	142574	HOUSING ASSEMBLY, Bearing Consists of Housing which is not serviced separately plus items listed below:	1
27	141227	SNAP RING	2
28	141228	CUP, Bearing	2
29	141229	CONE, Bearing	1
30	141230	SEAL, Bearing Oil	1
31		BOLT, 1/2" - 13 x 1-3/4" Hex. Hd. } Bearing Housing to Belt Housing	3
32		LOCKWASHER, 1/2"	
33		WASHER, 1/2" Flat	
34	141229	CONE, Pulley Shaft Bearing	1
35	141230	SEAL, Pulley Shaft Bearing Oil	1
36	141234	PULLEY, Drive (8" Dia.)	1
37	141235	WASHER, Flat	
38		NUT, 5/8" - 18 Hex. Slotted } Pulley to Shaft	1
39		COTTER PIN, 1/8" x 1"	
40	141678	V-BELT, Main Drive	2
41	*142573	HOUSING ASSEMBLY, Belt (Includes Cup) Consists of Housing which is not serviced separately plus items listed below:	1
42	7W-4616	CUP, Bearing	1
43	B-1202	CUP, Bearing	1
44	141308	SCREW ASSEMBLY, Belt Adjusting Consists of Screw which is not serviced separately plus items listed below:	1
45		NUT, 1/2" - 20 Hex. Jam	1
46		NUT, 1/2" - 20 Hex. Jam - Adjusting Screw to Housing	1
47	141305	SET SCREW, 1/2" - 20 x 3/4" Dog Point	1
48	9N-750	CONE, Bearing	1
49	141326	SEAL, Oil	1
50	141327	CONE, Flywheel Shaft Bearing	1
51		WASHER, Flat	
52		NUT, 5/8" - 18 Hex. Slotted } Flywheel Shaft to Housing	1
53	141328	COTTER PIN, 1/8" x 1	
54	141311	CAP, Flywheel Shaft Dust	1
		FLYWHEEL AND PITMAN PIN ASSEMBLY	1
		Consists of Flywheel which is not serviced separately plus Pitman Pin listed below:	
55	141315	PIN, Pitman	1
--	140415	BOX ASSEMBLY, Pitman Consists of:	1
56	141317	BOX and BUSHING ASSEMBLY, Pitman Consists of Box which is not serviced separately plus Bushing listed below:	1
57	141319	BUSHING	2

MODELS 14-1, 14-2, 14-9 and 14-10

FIG. 4	PART NO.	NAME AND DESCRIPTION	QTY. REQ.
Group 1-1—MAIN DRIVE (Models 14-1, 14-2, 14-9, 14-10) (Cont'd)			
58	141323	SNAP RING	1
59	8M-1217	CUP, Bearing	1
60		FITTING, Lube, 1/4" - 28 x 1/2" Str.	1
61	8M-1216	CONE, Bearing	1
62	141322	SEAL, Oil	1
63	8M-1217	CUP, Pitman Pin Bearing	1
64	8M-1216	CONE, Pitman Pin Bearing	1
65		WASHER, 5/8" Flat	} Pitman Pin to Box
66		NUT, 5/8" - 18 Hex. Slotted	
67		COTTER PIN, 1/8" x 1-1/4"	
68	141324	CAP ASSEMBLY, Pitman Dust	1
Consists of Cap which is not serviced separately plus Fitting listed below:			
69		FITTING, Lube, 1/8" - 27 x 3/4", Vented	1
70	141350	ARM and BALL ASSEMBLY, Pitman	1
Consists of:			
71	141351	ARM, (Welded Assembly)	1
72	141354	BALL ASSEMBLY	1
Consists of Ball which is not serviced separately plus Nut listed below:			
73		NUT, 3/4" - 16 Hex.	1
74	141397	PIN, Pitman	1
75		BOLT, 5/16" - 24 x 1-1/4" Hex. Hd. } Pitman Arm	2
76		LOCKWASHER, 5/16"	
--	141241	DECAL, Caution	1
*Part No. 142573 Belt Housing Assembly is effective with Serial No. 14-1-5487 and 14-2-5455.			
Part No. 141687 Belt Housing Assembly is no longer serviced. When replacing Belt Housing on units prior to Serial No. 14-1-5487 and after 14-1-1095 and on units prior to Serial No. 14-2-5455 and after 14-2-1062 order 142573 Belt Housing Assembly plus 1-141142 Pad, 1-5/8" - 18 x 3-1/2" Hex. Bolt, 1-5/8" - 18 Hex. Nut, 1-141305 Cone, 1-9N-750 Seal, 1-B-1202 Cup, and 1-141308 Screw Assembly.			
Part No. 141302 Belt Housing Assembly and Part No. 141870 Belt Housing and Dragbar Pin Assembly (Service Kit) are no longer serviced. When replacing Belt Housing on units prior to Serial No. 14-1-1095 and 14-2-1062 order 142573 Belt Housing Assembly plus 1-141683 Dragbar Anchor Pin Assembly, 1-141689 Washer, 1-7/8" Flat Washer, 1-7/8" - 14 Castle Nut, 1-1/8" x 1 Cotter Pin, 1-141142 Pad, 1-5/8" - 18 x 3-1/2" Hex. Bolt, 1-5/8" - 18 Hex. Nut, 1-141305 Cone, 1-9N-750 Seal, 1-B-1202 Cup, and 1-141308 Screw Assembly.			

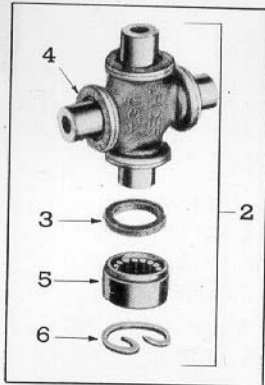
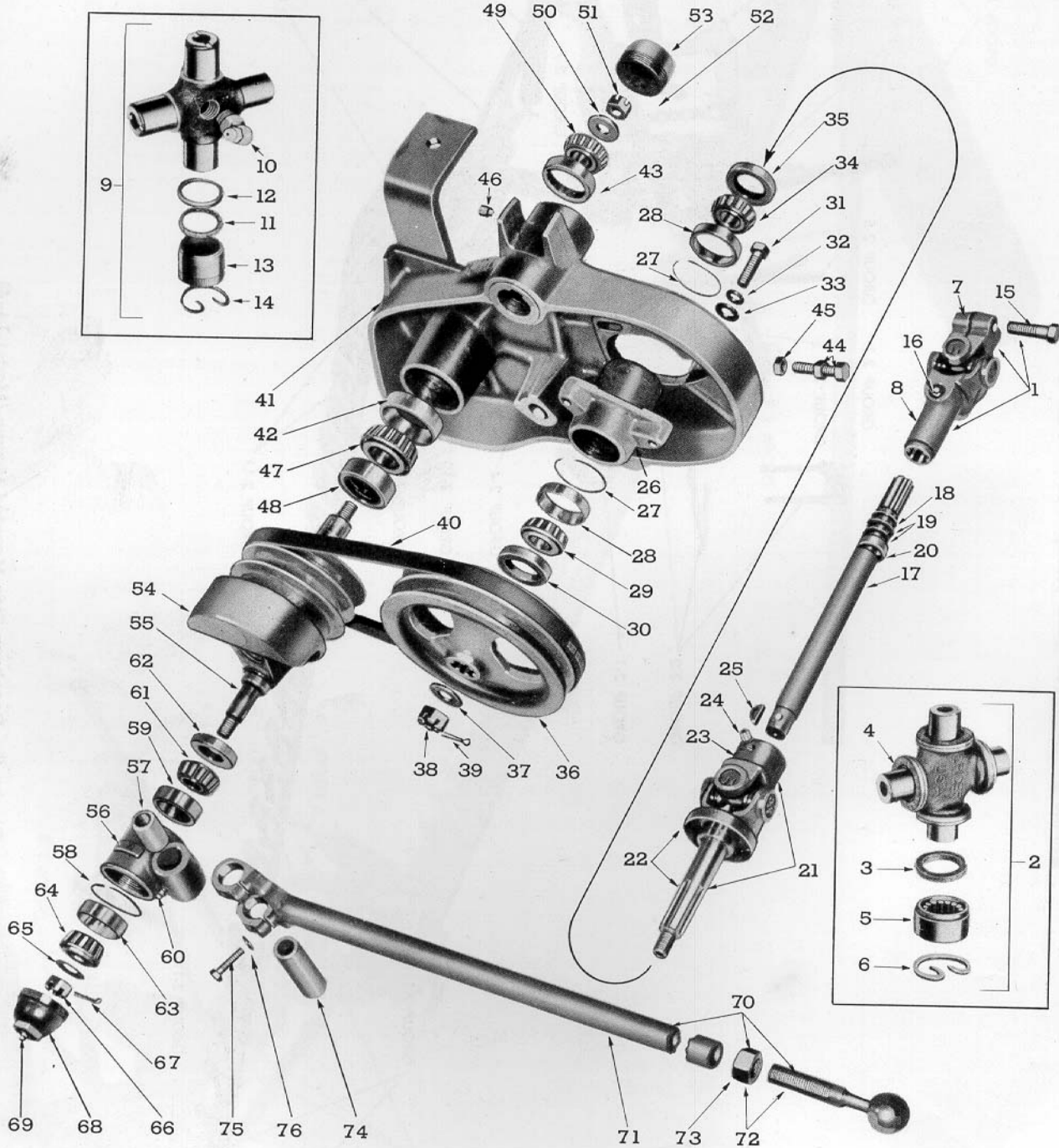
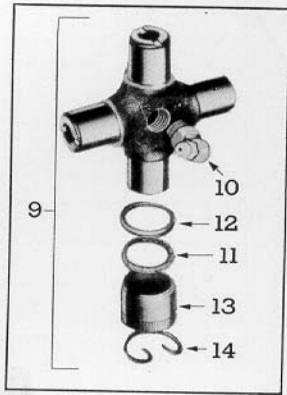


FIG. 10	PART NO.	NAME AND DESCRIPTION	QTY. REQ.		
			14-1, 2	14-9, 10	14-15, 16
		Group 1-6—PULL BAR, BALANCE SPRING, AND BREAK BACK HOUSING ASSEMBLIES (Cont'd)			
10	141605	HOUSING ASSEMBLY, Break Back Consists of Housing which is not serviced separately plus Fitting listed below:	1	-	-
11		FITTING, Lube, 1/4" - 28 x 25/32", 90°	1	-	-
12	141607	PLUNGER, Break Back	1	-	-
13	141608	DISC, Break Back Plunger	1	-	-
14	141609	SPRING, Break Back	1	-	-
15	141610	CAP, Break Back Adjusting	1	-	-
16	141240	HOUSING ASSEMBLY, Break Back Consists of Housing which is not serviced separately plus Fitting listed below:	-	1	1
17		FITTING, Lube, 1/4" - 28 x 25/32", 90°	-	1	1
18	141185	PIN, Shoulder, 7/8" x 3-1/8"	-	1	1
19		LOCKWASHER, 5/8" } Shoulder Pin to Housing	-	1	1
20		NUT, 5/8" - 18 Hex. }	-	1	1
21	141183	PLUNGER, Break Back	-	1	1
22		WASHER, 3/4" Flat - Break Back Plunger	-	1	1
23	141182	SPRING, Break Back	-	1	1
24	141184	CAP, Break Back Adjusting	-	1	1
25	141612	BRACKET, Pull Bar	1	1	1
26		PIN, Clevis, 1/2" x 1-3/4" } Bracket to Pull Bar	1	1	1
27		COTTER PIN, 1/8" x 1 }	1	1	1
28	141657	LINK, Tilt	1	1	-
--	142692	LINK, Tilt	-	-	1
29	141614	PIN, Clevis, .493 x 1.16, Tilt Link to Pull Bar Brkt.	1	1	1
--	141427	PIN, Clevis	-	-	1
30		COTTER PIN, 1/8" x 1", Tilt Link to Pull Bar Brkt.	1	1	1
31	141631	ROD, Balance Spring End	1	1	1
32	141628	CAP, Spring Retainer - Plain	1	1	1
33	141630	SPRING, Balance	1	1	-
33A	142773	SPRING, Balance	-	-	1
34	141629	CAP, Spring Retainer - Threaded	1	1	1
35	141627	U-BOLT, 3/8" - 16	1	1	1
36		NUT, 3/8" - 16 Hex.	2	2	2
37	141626	CHAIN, 1/2" x 1, 29 Links	1	1	-
38	141619	PIN, 3/8" x 1-7/8" Clevis } Balance Spring Assembly to Pull Bar Bracket	1	1	1
39		COTTER PIN, 1/8" x 1 }	1	1	1
40		WASHER, 1/2" Flat			
41	140116	CLAMP ASSEMBLY, Cable Consists of Brackets and U-Bolts which are not serviced separately plus Nuts listed below:	-	-	2
42		NUT, 5/16" - 18 Hex.	-	-	4
43	142727	CABLE, 5/16" Dia. x 38"- Balance Spring	-	-	1
44	140214	THIMBLE, Cable, Lift Link	-	-	1

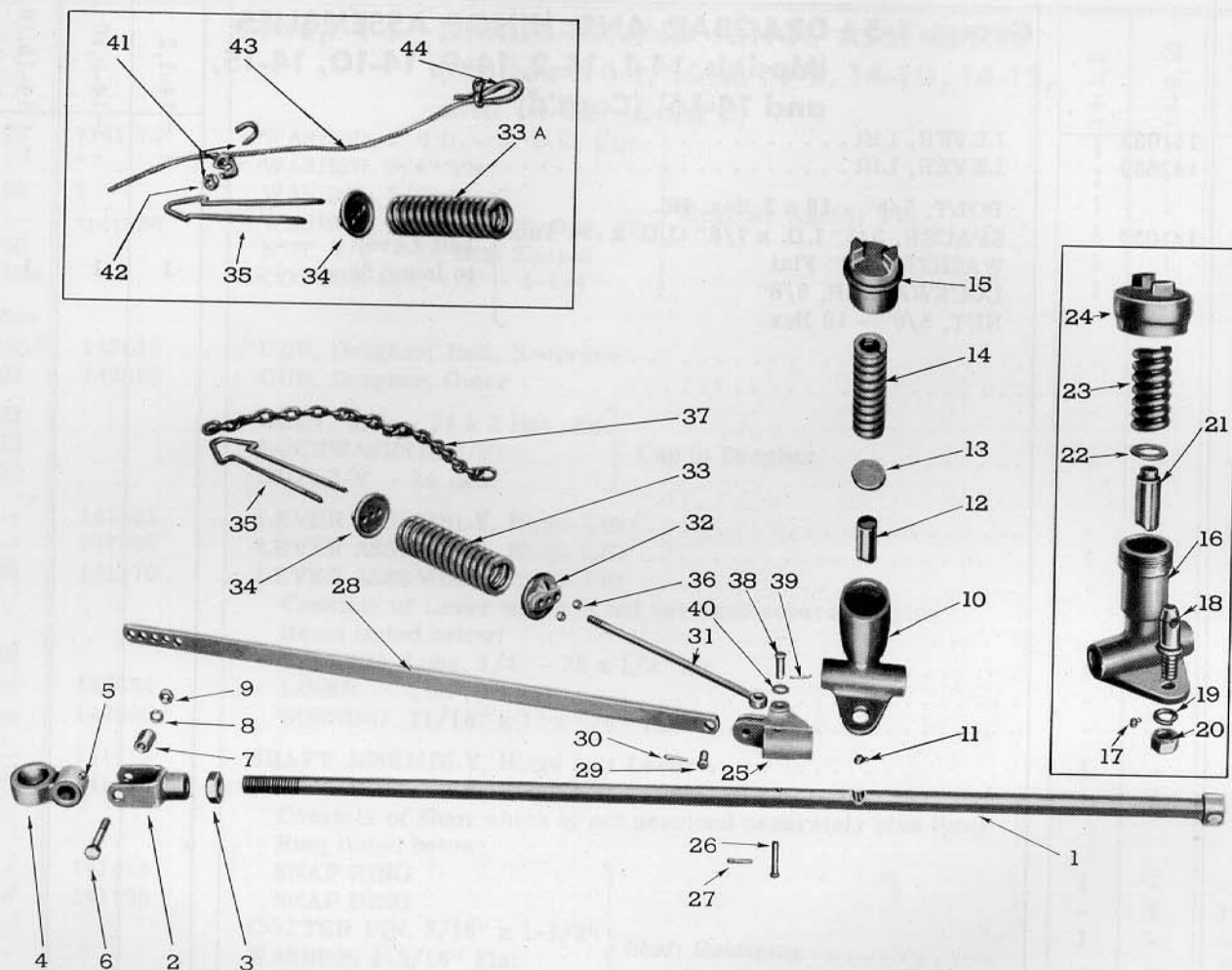


Figure 10 - Pull Bar, Balance Spring and Break Back Housing Assemblies

FIG. 10	PART NO.	NAME AND DESCRIPTION	QTY. REQ.		
			14-1,2	14-9, 10	14-15, 16
Group 1-6—PULL BAR, BALANCE SPRING, AND BREAK BACK HOUSING ASSEMBLIES (Cont'd)					
1	142675	PULL BAR (Welded Assembly)	-	-	1
-	141602	PULL BAR (Welded Assembly)	1	1	-
2	141615	YOKE, Pull Bar (Welded Assembly)	1	1	-
-	142775	YOKE, Pull Bar (Welded Assembly)	-	-	1
3		NUT, 1-1/8" - 12 Jam - Pull Bar Yoke Retaining	1	1	1
-	142658	EYE ASSEMBLY, Pull Bar	-	-	1
4	141424	EYE ASSEMBLY, Pull Bar	1	1	-
Consists of Eye which is not serviced separately plus Fitting listed below:					
5		FITTING, Lube, 1/4" - 28 x 1/2" Str.	1	1	1
6		BOLT, 1/2" - 20 x 2-11/16" Hex. Hd.	1	1	1
-	142677	SPACER, 1/2" I.D. x 1-1/4" O.D. x 1-1/2" Tube	-	-	1
7	141618	SPACER, 1/2" I.D. x 1" O.D. x 1-1/2" Tube	1	1	-
8		LOCKWASHER, 1/2"	1	1	1
9		NUT, 1/2" - 20 Hex.	1	1	1
} Pull Bar Yoke to Eye					